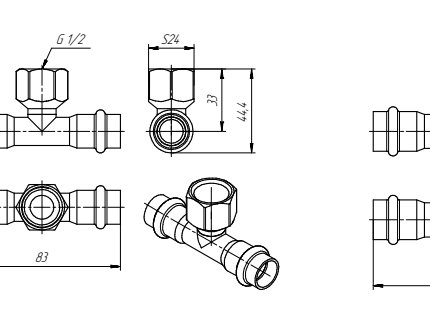
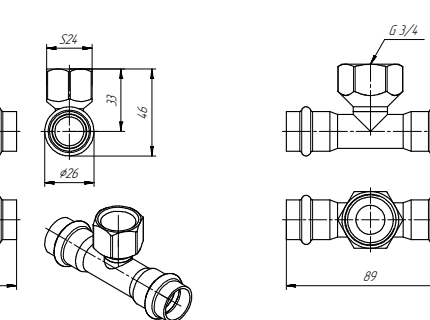


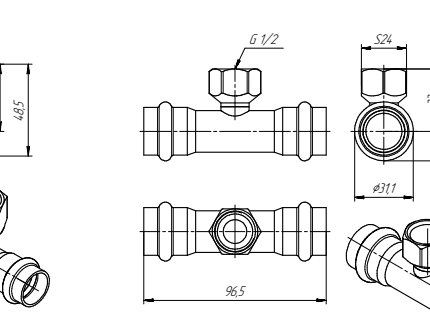
VT.9321.150415



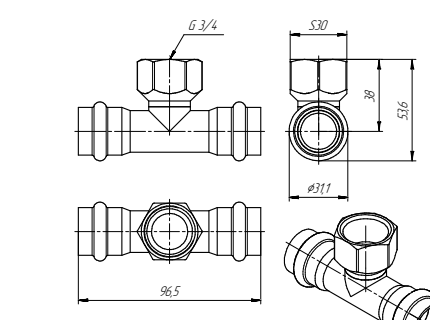
VT.9321.180418



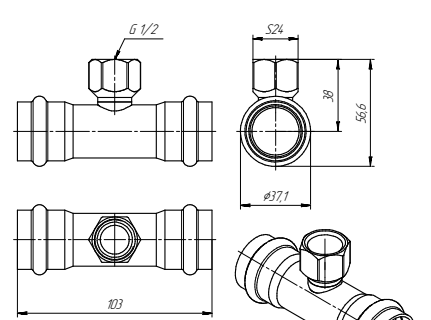
VT.9321.180518



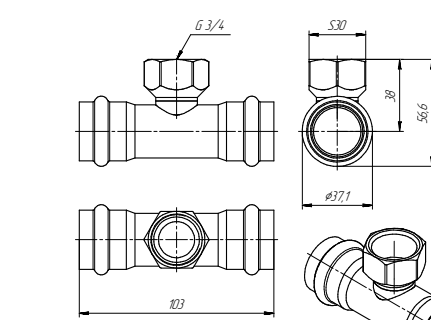
VT.9321.220422



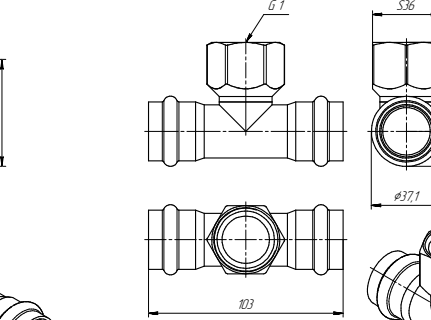
VT.9321.220522



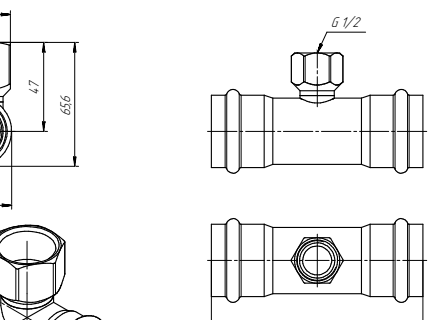
VT.9321.280428



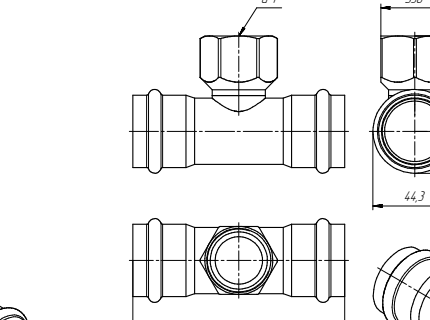
VT.9321.280528



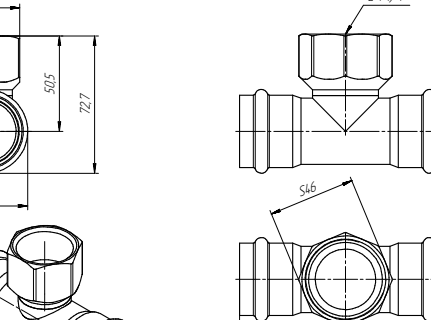
VT.9321.280628



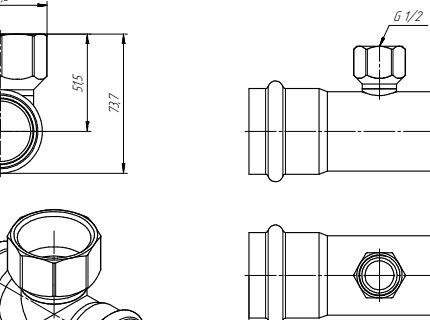
VT.9321.350435



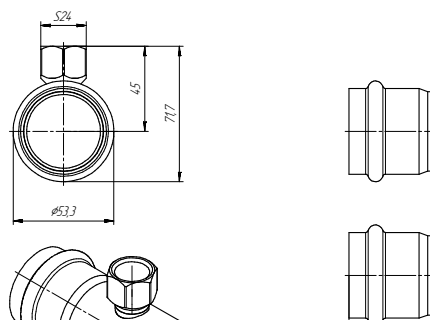
VT.9321.350635



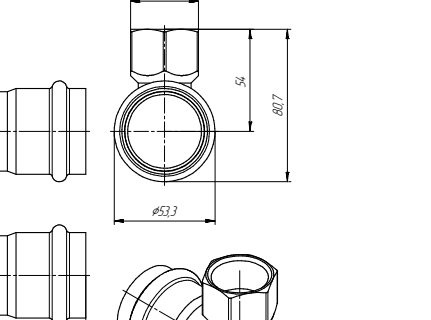
VT.9321.350735



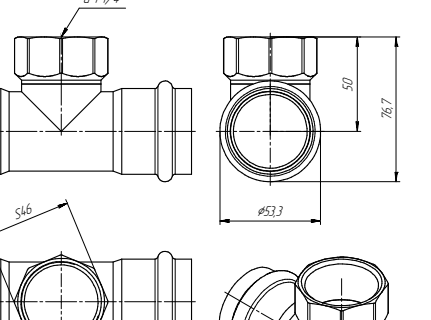
VT.9321.420442



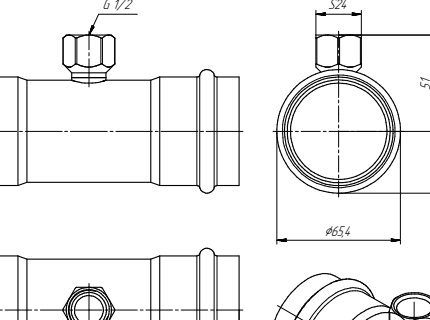
VT.9321.420642



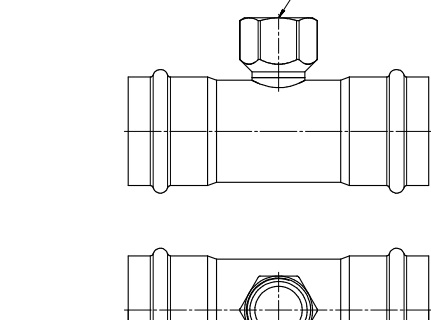
VT.9321.420742



VT.9321.540454



VT.9321.540654



VT.9321.540754

